

TagMaster AB

RS485 Converter S1942

RS232-to-RS485 converter

RS485 Converter S1942 is a compact RS232-to-RS485 converter.

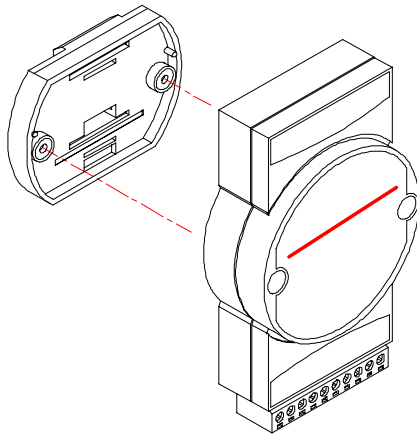
RS485 Converter connects an RS232 serial communication line to a 2 wire RS485 multidrop network. It is specially adapted for the CONFIDENT communicators and software.

The RS485 Converter automatically senses the direction of the data flow and switches the transmission direction. No handshaking signals are necessary. This RS-485 control is completely transparent to the user system. You can use existing CONFIDENT or other software written for RS-232 without the need of any modification.

The design is compact and robust for reliable operation in harsh environments. The casing is rugged industrial grade plastic.

The converter is easily mounted on a DIN rail, a wall using the included bracket or piggy back where you stack several units in each other. You make signal connections through rugged plug-in screw terminal blocks, ensuring quick and simple installation, modification and maintenance.

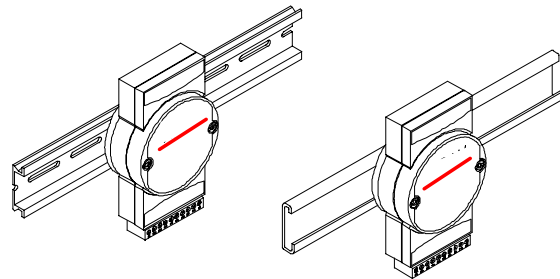
RS485 Converter accept any unregulated power source between +10 and +30V_{DC}. They are protected against accidental power supply reversals and can be safely connected or disconnected without causing disturbance to a running network.



Converts RS-232 to RS-485

3000V_{DC} isolation

Mounted on DIN rails or walls



Automatic control of data flow

1.2K to 115.2K baud rate

Rugged industrial grade plastic

