



10 channel fuse module with visual alarm and alarm output for fuse blown indication

High current rating, upto 16A per channel (max 32A for module)

DIN rail mounting

Various range of fuse sizes available

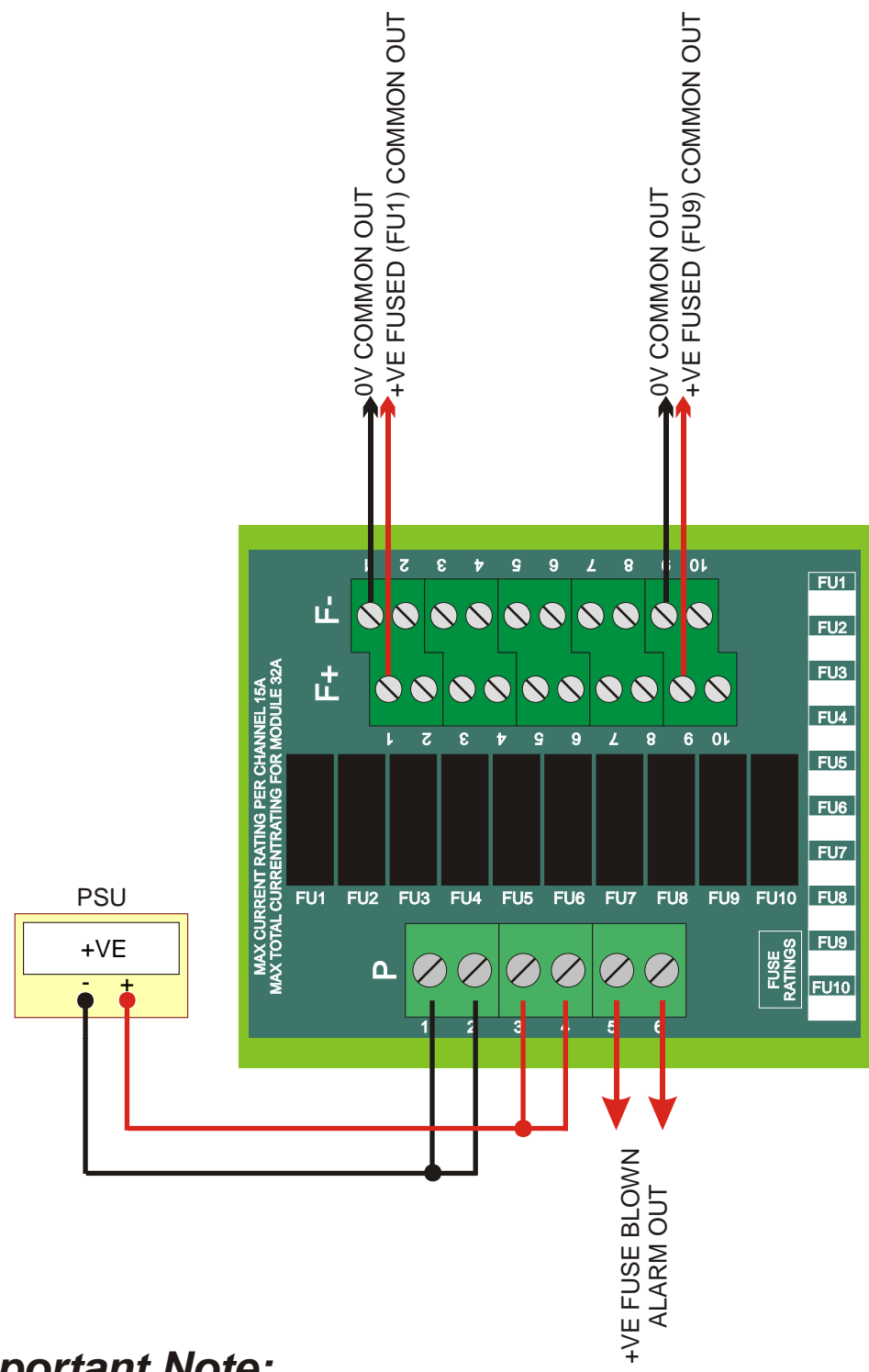
Introduction

The FSC-960 fuse blown indicating module is a DIN rail mounting module, that allows users up to 10 common fused supply outlets. Each fused channel can handle up to 16A, however a maximum of only 32A max is allowed for the module. Fuses are available in 18 different ratings (see page 3) and should be ordered separately

General Ratings

Storage temperature	-20 to +70 °C
Operating temperature	0 to 85 °C
Humidity	10-90% RH (non-condensing)
Dimensions	90mm width 81mm depth 45mm height
Screw terminal wire gauge	Up to 2.5mm ²
Voltage rating	Up to 60Vdc or 125Vac
Output Current	16A per channel (max 32A for module)
Unit mounting	The unit can be mounted on all standard NS32 and NS35 DIN rail profiles to EN50 045, EN50 035 and EN50 022 standards

Connections:



Important Note:

Modules supplied without GMT fuses. IMPORTANT Customer should note that when fitting the GMT fuses they must not be forced down in position. See Bussmann data sheets for fitment details. A correctly positioned fuse will have the top flat edge of fuse approximately 7.7mm above the top edge of the module mounted fuse holder to which it is fitted.



Data Sheet Issue: 1.00
Date: 30 May 2006

Order Codes

<u>Description</u>	<u>Part Number</u>
FSC-960	FSC-960 Module (no fuses)
GMT-0.18A	0.18A Fast Acting Fuse
GMT-0.25A	0.25A Fast Acting Fuse
GMT-0.38A	0.38A Fast Acting Fuse
GMT-0.50A	0.50A Fast Acting Fuse
GMT-0.65A	0.65A Fast Acting Fuse
GMT-0.75A	0.75A Fast Acting Fuse
GMT-1.00A	1.00A Fast Acting Fuse
GMT-1.33A	1.33A Fast Acting Fuse
GMT-1.50A	1.50A Fast Acting Fuse
GMT-2.00A	2.00A Fast Acting Fuse
GMT-3.00A	3.00A Fast Acting Fuse
GMT-3.50A	3.50A Fast Acting Fuse
GMT-4.00A	4.00A Fast Acting Fuse
GMT-5.00A	5.00A Fast Acting Fuse
GMT-7.50A	7.50A Fast Acting Fuse
GMT-10.0A	10.0A Fast Acting Fuse
GMT-12.0A	12.0A Fast Acting Fuse
GMT-15.0A	15.0A Fast Acting Fuse

COLTER GROUP
COLTER PRODUCTS LIMITED

UNIT 7, ZONE C
CHELMSFORD ROAD INDUSTRIAL ESTATE
DUNMOW
ESSEX
CM6 1HD

Telephone: + 44 (0)1371 876887
Fax: + 44 (0)1371 875638

E-Mail: sales@coltergroup.co.uk
Web Site: www.coltergroup.co.uk

© Copyright 2002

The unit described on this datasheet is designed and manufactured in Great Britain by Colter Products Ltd.
Colter Products reserve the right to amend these specifications and the user is asked to check the validity of the datasheet prior to use