

- 4 Channel fuse module
- DIN rail mounting
- Alarm contacts and LED indication to warn if a fuse has blown
- Feed and return fuses
- 24vdc, 48vdc, 120vdc and 125vdc options available

Introduction

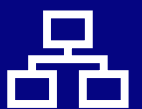
The FSC-998 is a DIN rail mounting 4 channel indicating fuse module. The module is available in 24vdc, 48vdc, 120vdc and 125vdc versions. Each channel has a feed and return fuse. In the event of a fuse blowing, then a volt-free normally-open alarm contact and LED will operate to indicate that a fuse has blown on that channel Circuit.

Features

- * Standard 5 x 20mm fuses.
- * One alarm circuit per channel. With volt-free alarm contact and LED indication
- * DIN rail mounting
- * 24vdc, 48vdc and 120vdc versions available

General Ratings

Storage temperature	-20 to +70 °C
Operating temperature	0 to 50 °C
Humidity	0-90%
Weight	Typically 125g
Dimensions	90 mm wide 68 mm long 65 mm height
Screw terminal wire gauge	Up to 2.5 mm csa (14 AWG)
Maximum current per channel	2Amps (supplied fitted with (F)1Amp fuses)
Unit Mounting	The unit can be mounted on all standard NS32 and NS35 DIN rail profiles to EN50 045, EN50 035 and EN50 022 standards

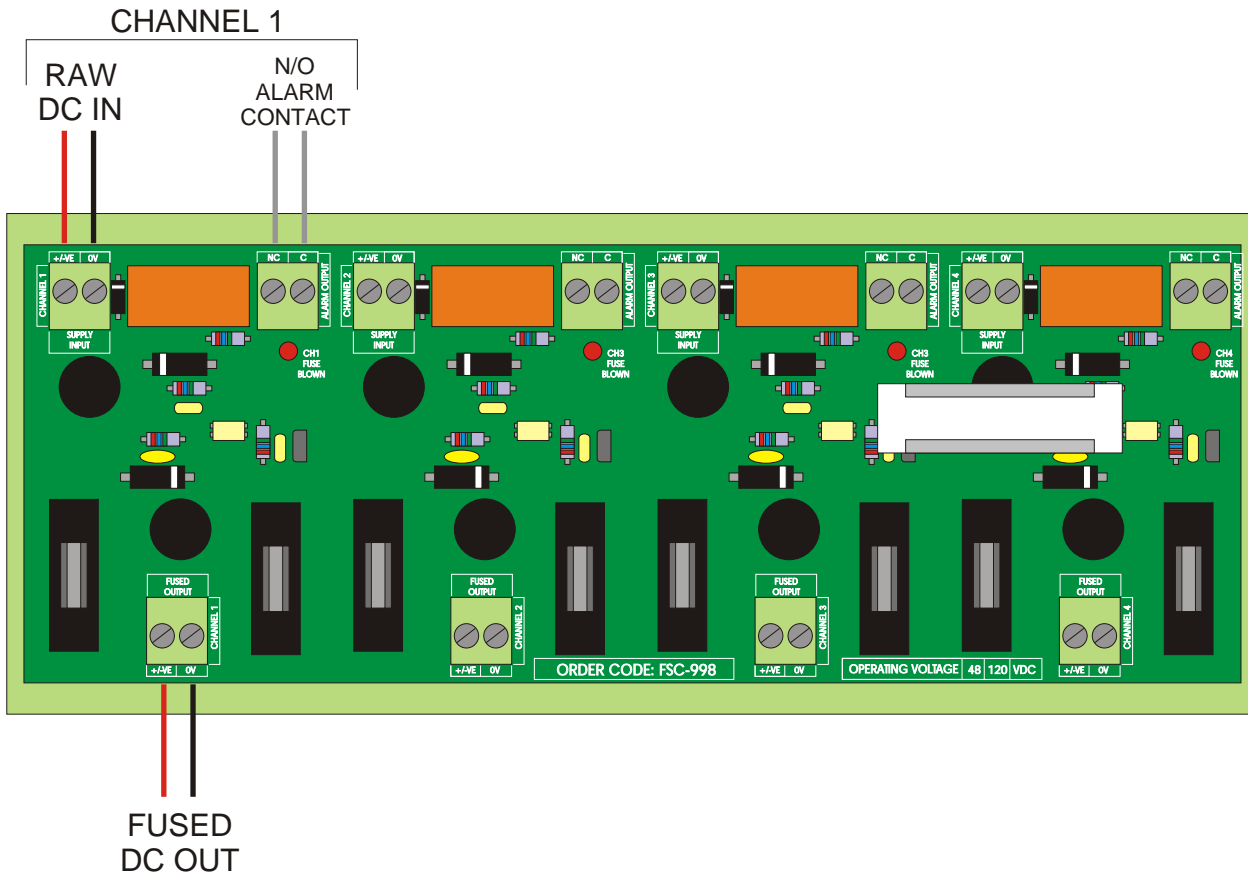


Applications

Applications include fuse monitoring on large project sites involving SCADA. This product can greatly reduce down time by allowing maintenance engineers to be guided quickly to the source of a breakdown.

The applications include shut down systems, process industries and automated production lines.

Connection Details





Data Sheet Issue: 1.00
Date: 1st June 2006

Order Codes

<u>Part Number</u>	<u>Description</u>
DRM-4-24	24vdc version
DRM-4-48	48vdc version
DRM-4-120	120vdc version

COLTER GROUP **COLTER PRODUCTS LIMITED**

UNIT 7, ZONE C
CHELMSFORD ROAD INDUSTRIAL ESTATE
DUNMOW
ESSEX
CM6 1HD

Telephone: + 44 (0) 1371 876887
Fax: + 44 (0) 1371 875638

E-Mail: sales@coltergroup.co.uk
Web Site: www.coltergroup.co.uk

© Copyright 1999

The unit described on this datasheet is designed and manufactured in Great Britain by Colter Products Ltd.
Colter Products reserve the right to amend these specifications and the user is asked to check the validity of the data sheet prior to use