

- **1 or 4 Channel fuse module**
- **DIN rail mounting**
- **Alarm contacts and LED indication to warn if a fuse has blown**
- **Feed and return fuses**
- **24vdc, 48vdc and 120vdc options available**

Introduction

The DRM-1FBA-xx and DRM-4FBA-xx are DIN rail mounting 1 and 4 channel indicating fuse modules. They are available in 24vdc, 48vdc and 120vdc versions. Each channel has a feed and return fuse.

In the event of a fuse blowing, then a volt-free normally-open alarm contact closes and a LED will operate to indicate that a fuse has blown on that channel's circuit.

Features

- * Standard 5 x 20mm fast blow fuses.
- * Independent alarm circuit per channel, with volt-free alarm contact and LED indication
- * DIN rail mounting
- * 24vdc, 48vdc and 120vdc versions available

General Ratings

Storage temperature	-20 to +70 °C
Operating temperature	0 to 50 °C
Humidity	0-95% Non Condensing
Weight	Typically 75g 1ch module, 255g 4Ch module
Dimensions 1ch Module	90 mm depth (Across Din Rail) 56.5 mm width (Along Din Rail) 48 mm height
Dimensions 4ch Module	77 mm depth (Across Din Rail) 203 mm length (Along Din Rail) 44 mm height
Screw terminal wire gauge	Up to 2.5 mm csa (14 AWG)
Maximum current per channel	2Amps (supplied fitted with (F)1Amp fuses)
Unit Mounting	The unit can be mounted on all standard NS32 and NS35 DIN rail profiles to EN50 045, EN50 035 and EN50 022 standards

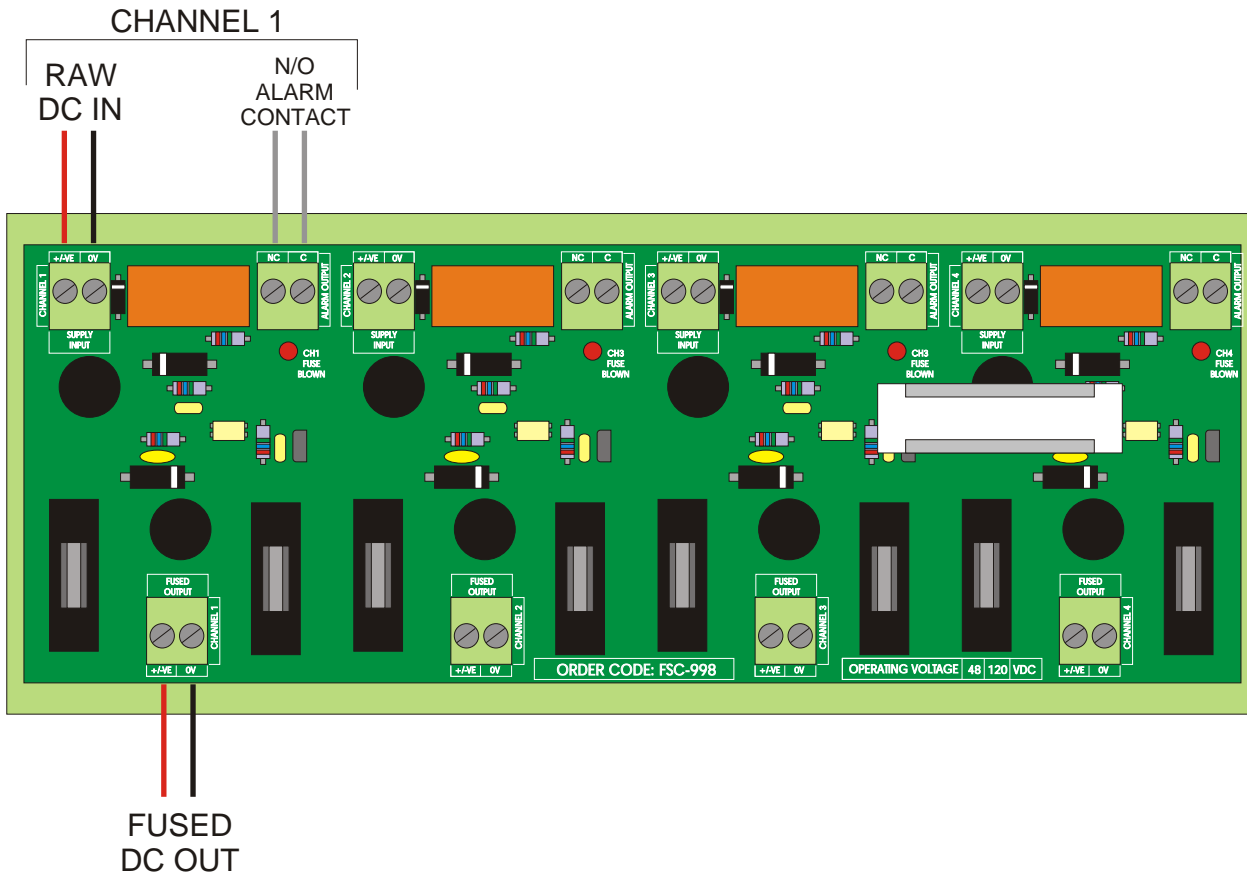


Applications

Applications include fuse monitoring on large project sites involving SCADA. This product can greatly reduce down time by allowing maintenance engineers to be guided quickly to the source of a breakdown.

The applications include shut down systems, process industries and automated production lines.

Connection Details



Data Sheet Issue: 2.00

Date: 11th February 2009



Single Channel
version

Order Codes

Part Number, Single channel modules

DRM-1FBA-24Vdc Version
DRM-1FBA-48Vdc Version
DRM-1FBA-120Vdc Version

Part Number, Four channel modules

DRM-4FBA-24Vdc Version
DRM-4FBA-48Vdc Version
DRM-4FBA-120Vdc Version

COLTER GROUP **COLTER PRODUCTS LIMITED**

UNIT 7, ZONE C
CHELMSFORD ROAD INDUSTRIAL ESTATE
DUNMOW
ESSEX
CM6 1HD

Telephone: + 44 (0) 1371 876887
Fax: + 44 (0) 1371 875638

E-Mail: sales@coltergroup.co.uk
Web Site: www.coltergroup.co.uk

© Copyright 2009

The unit described on this datasheet is designed and manufactured in Great Britain by Colter Products Ltd.
Colter Products reserve the right to amend these specifications and the user is asked to check the validity of the data sheet prior to use

DRM-1FBA-XX
DRM-4FBA-XX

**Digital Indicating Fuse Blown Alarm Module in
24vdc, 48vdc or 120vdc Supply Versions**



**Colter
Group**